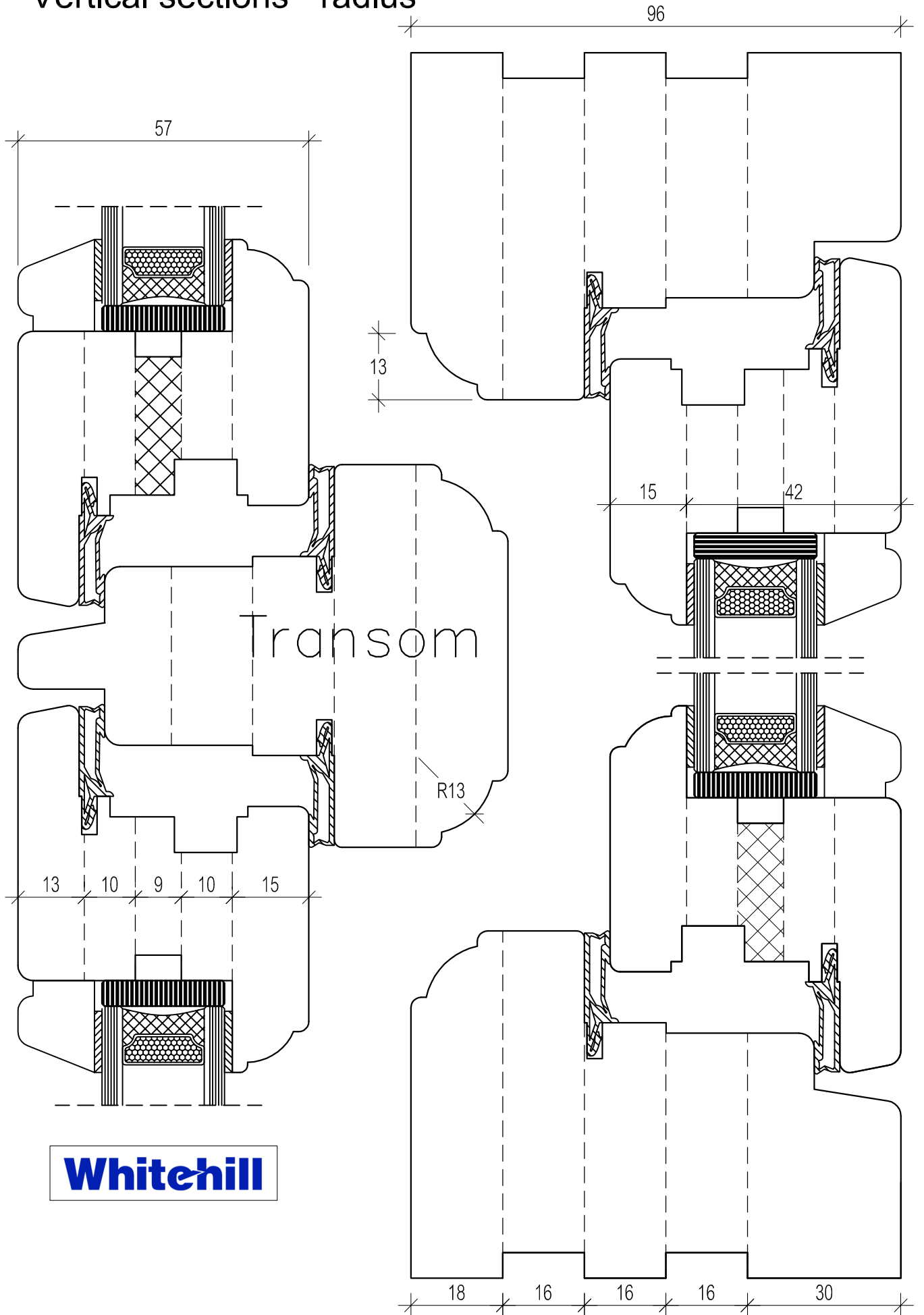


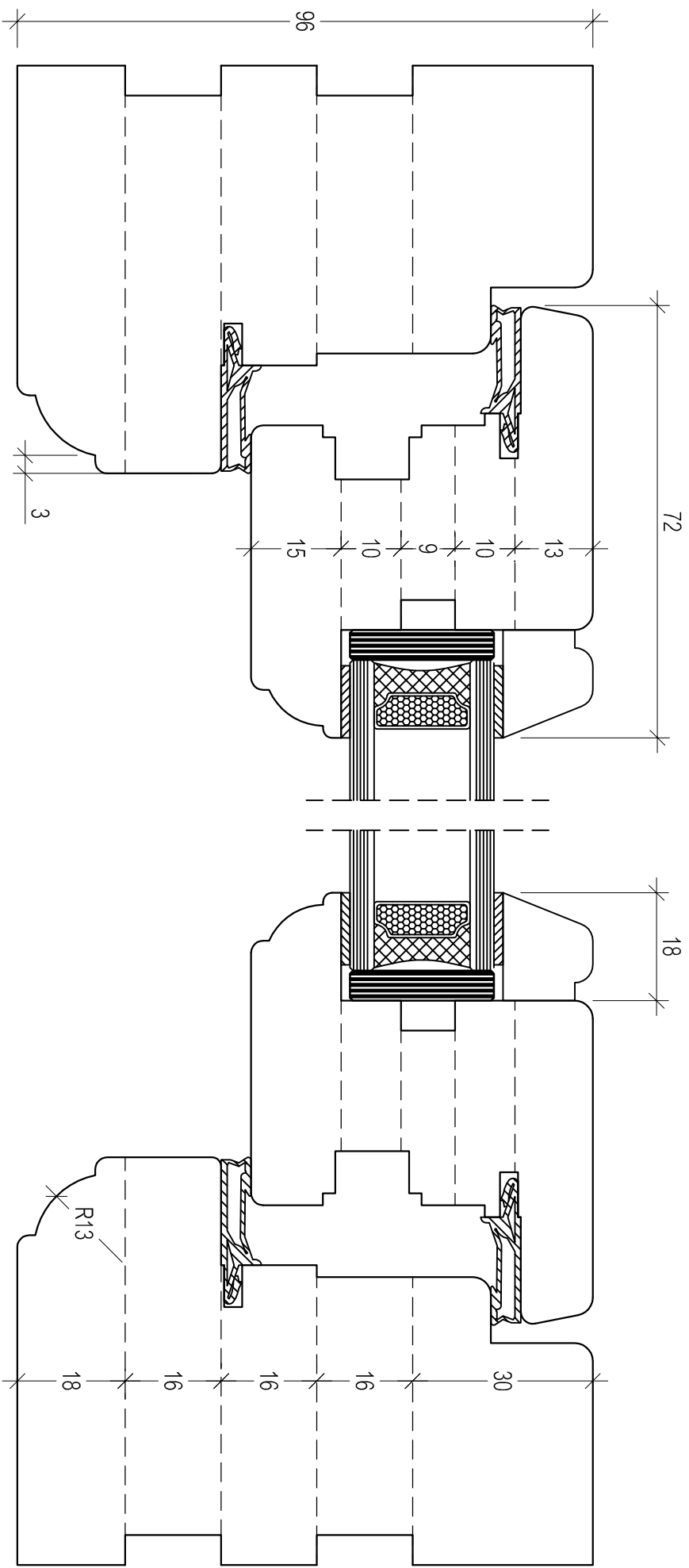
# HP Flush window system

## Vertical sections - radius



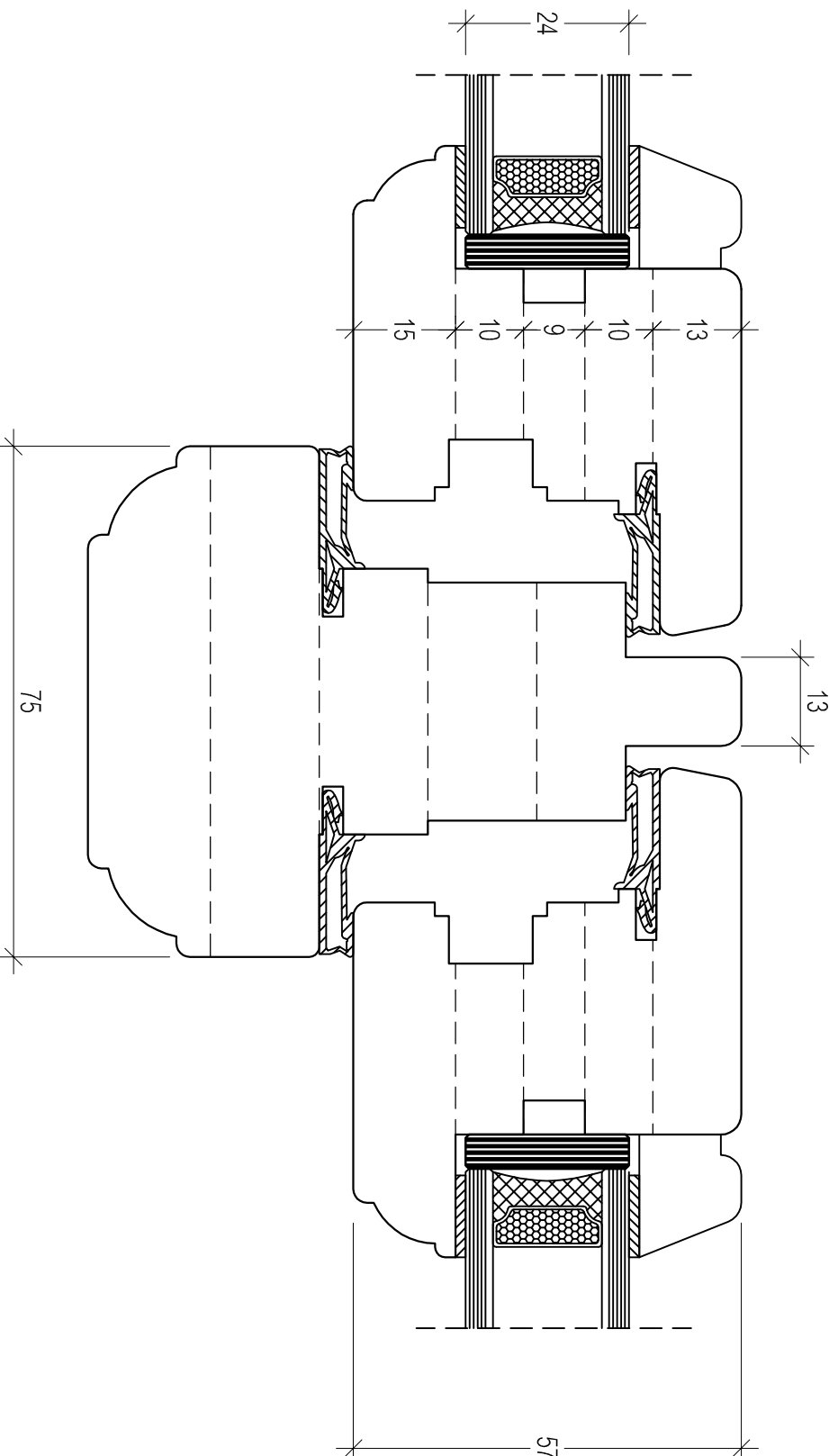
# HP Flush window system

## Horizontal sections - radius



# HP Flush window system

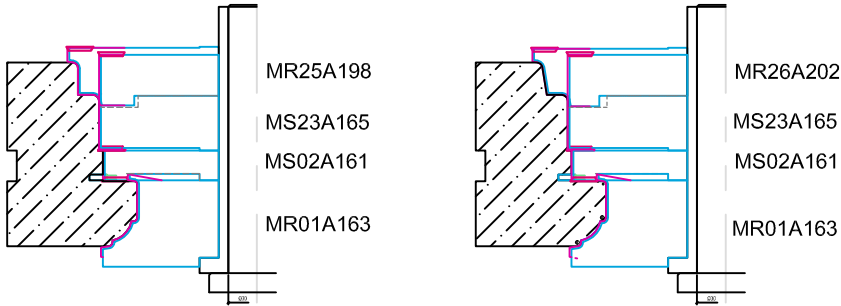
## Mullion - radius



# Tooling Solution



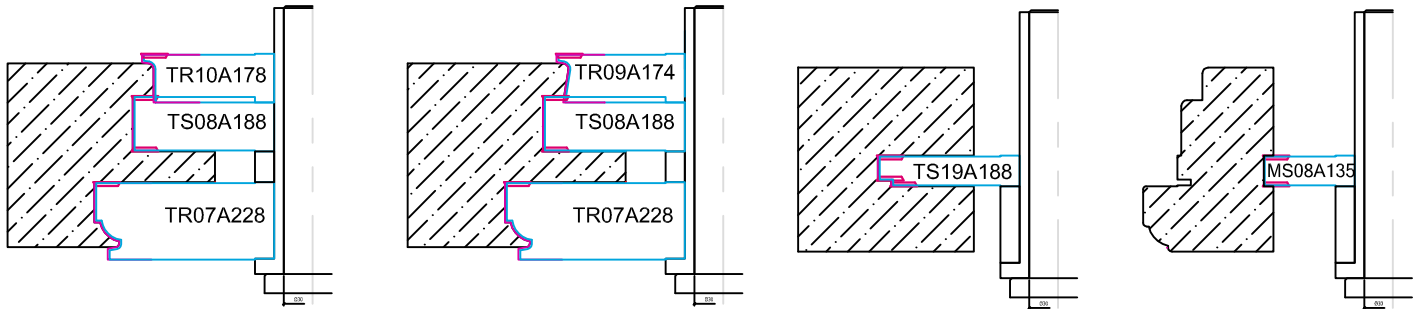
## 96mm Frame profile with Rad



We can manufacture for all machines, Diameters or Bore. Please contact us.

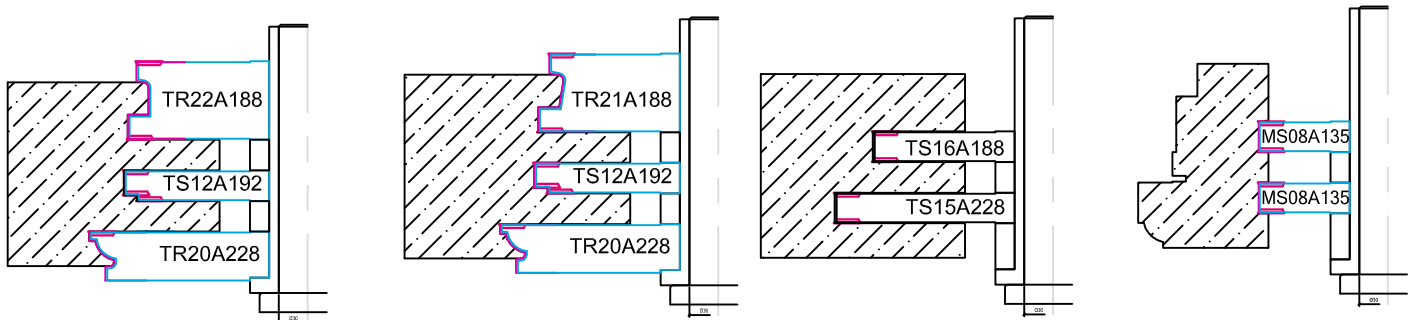
## Single Tenon 96mm Frame with Rad

Single Tenon or Combe Joint

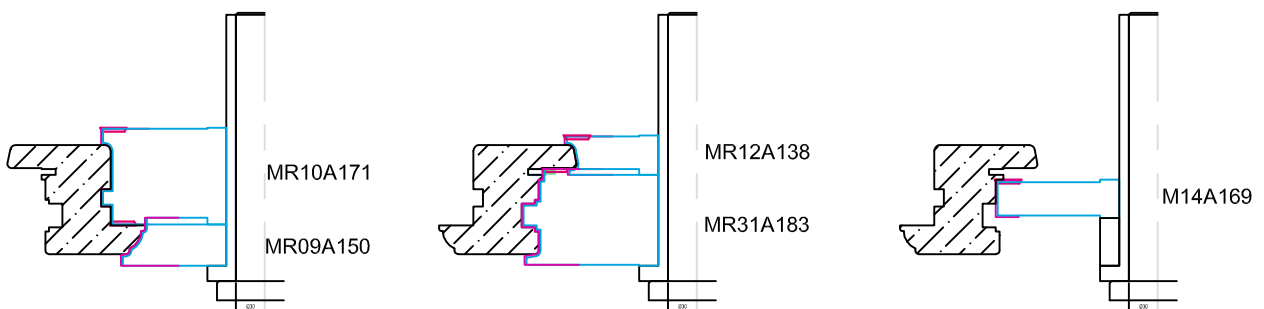


## Combe Joint 96mm Frame with Rad

Single Tenon or Combe Joint



## Sash profile 57mm Sash with Rad



## Sash Combe joint 57mm Sash with Rad

