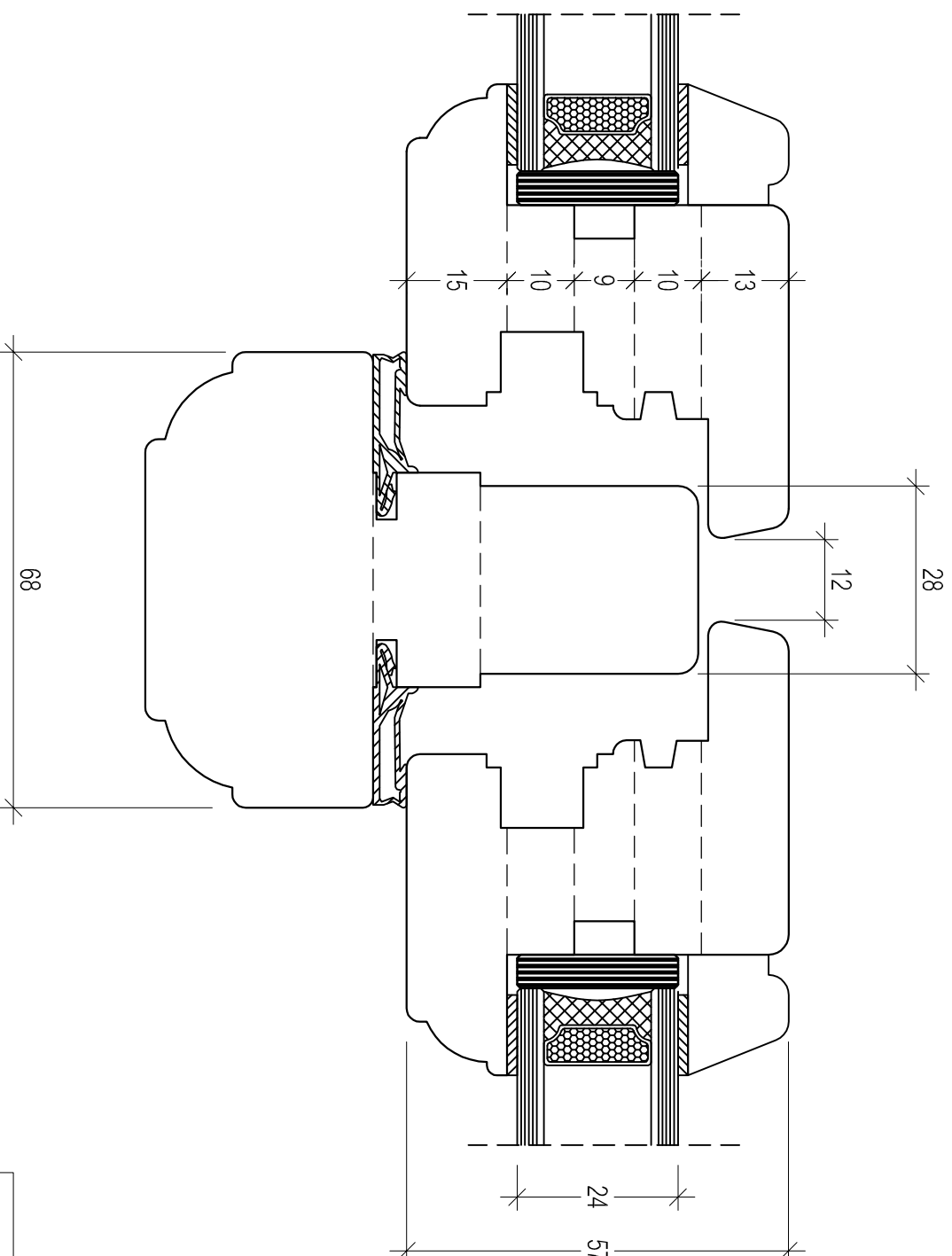


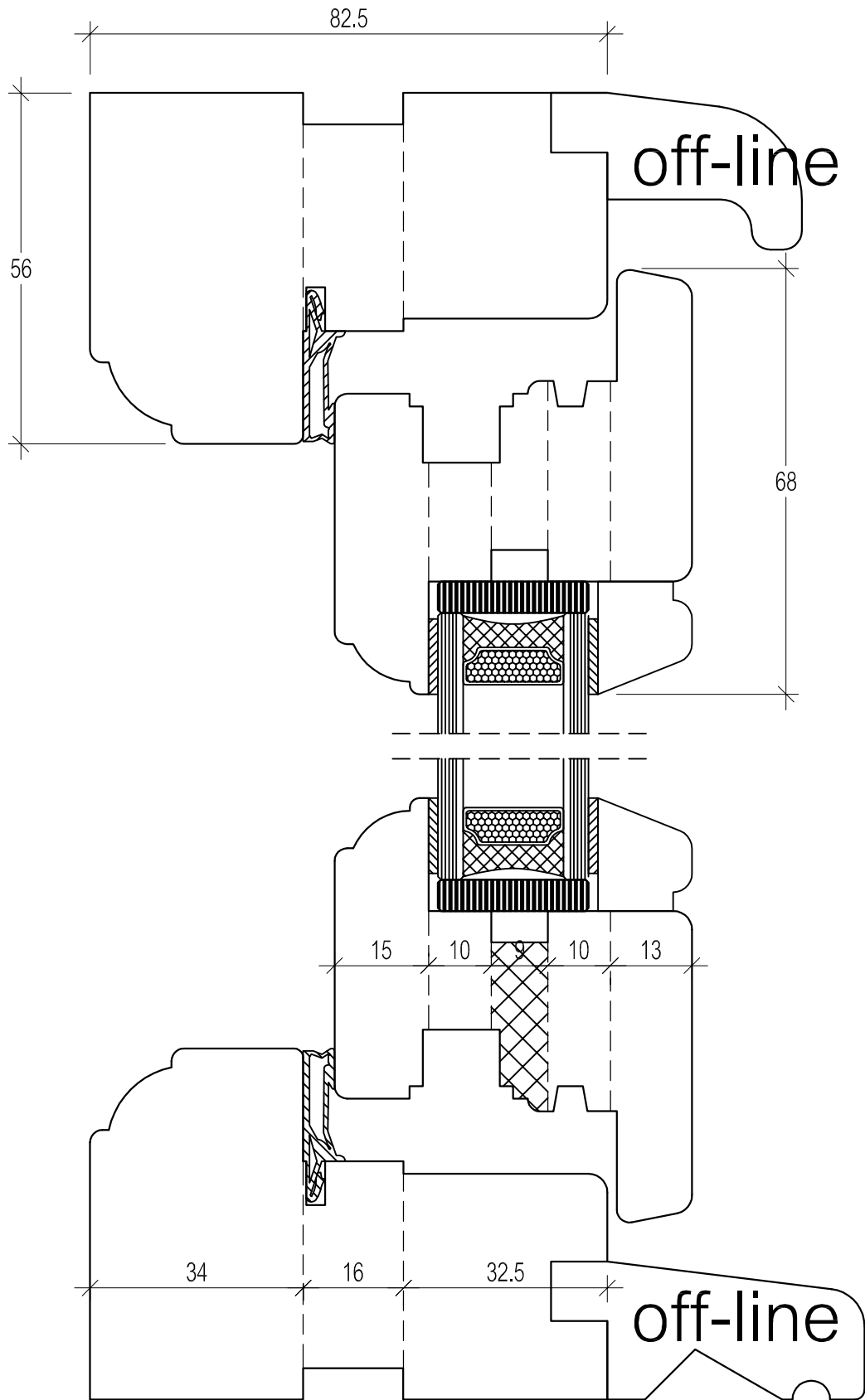
Stormproof window system

Mullion - radius



Stormproof window system

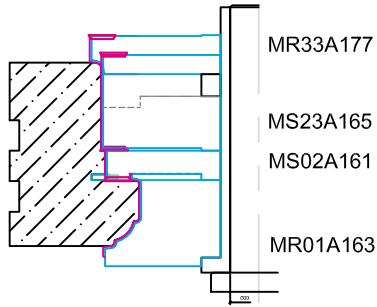
Vertical sections - radius



Tooling Solutions



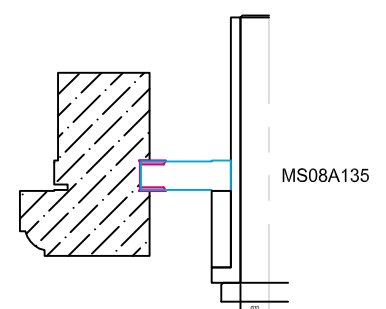
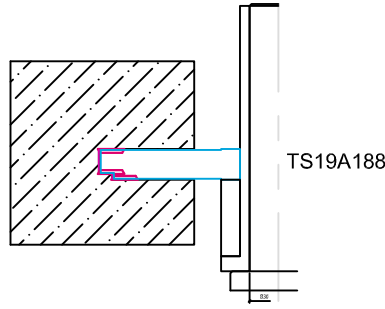
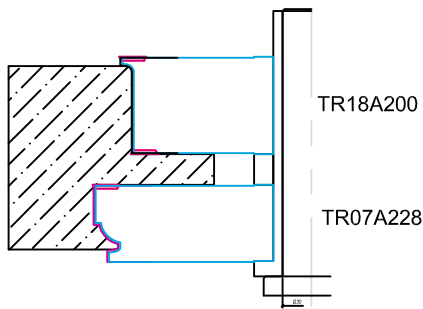
Frame profile radius



We can manufacture for all machines, Diameters or Bore. Please contact us.

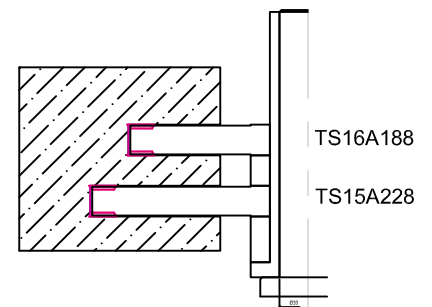
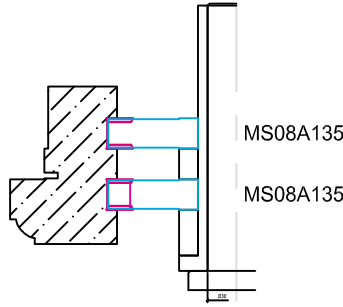
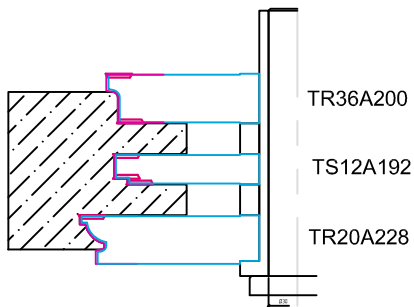
Single Tenon Radius

Single Tenon or Combe Joint

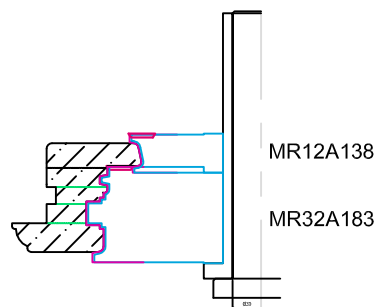
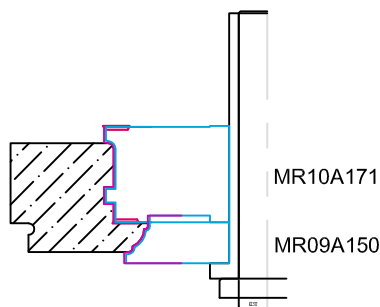


Combe Joint tooling radius

Single Tenon or Combe Joint



Sash profile radius



Sash Combe joint tooling radius

