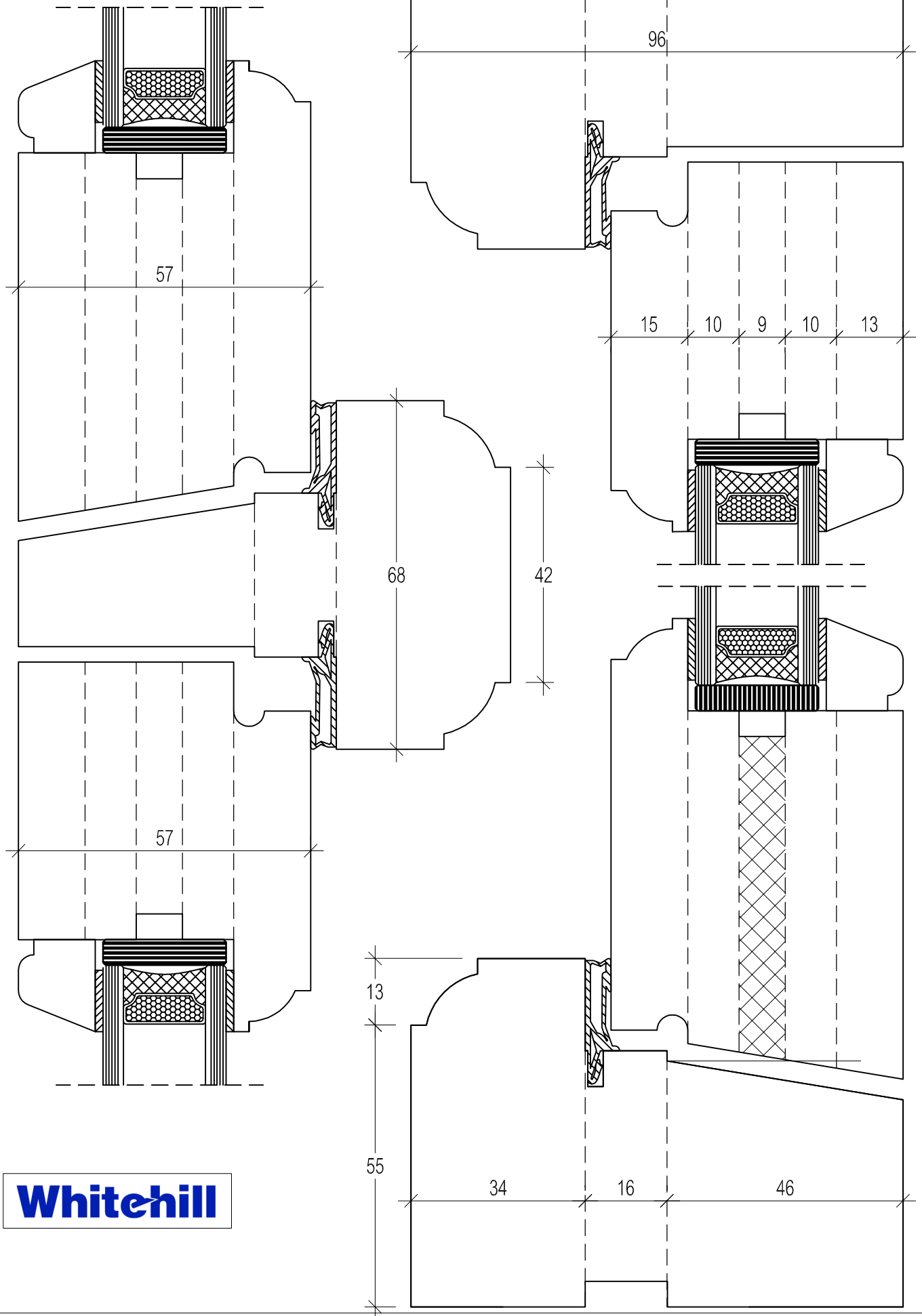


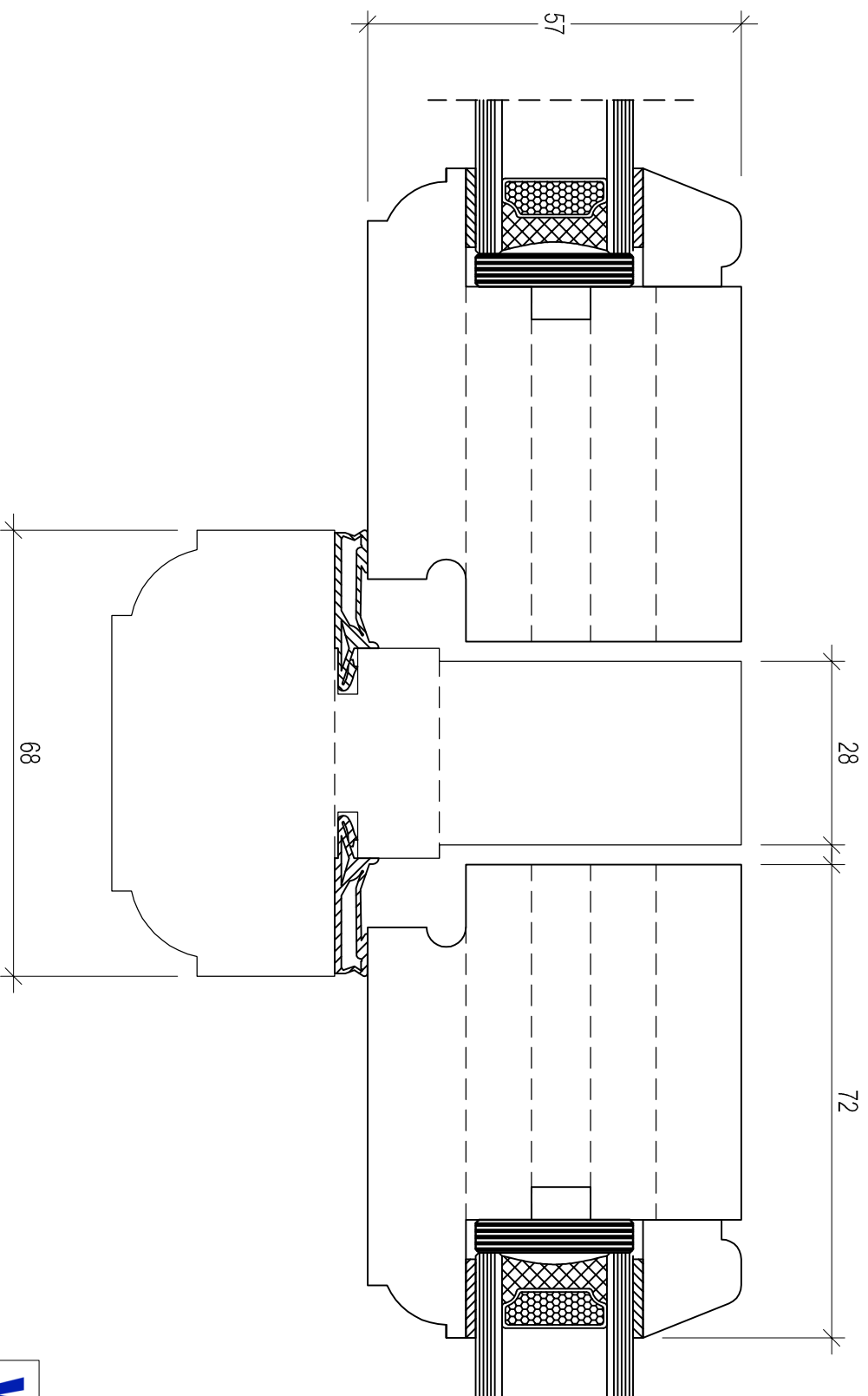
Traditional window system

Vertical sections



Whitehill

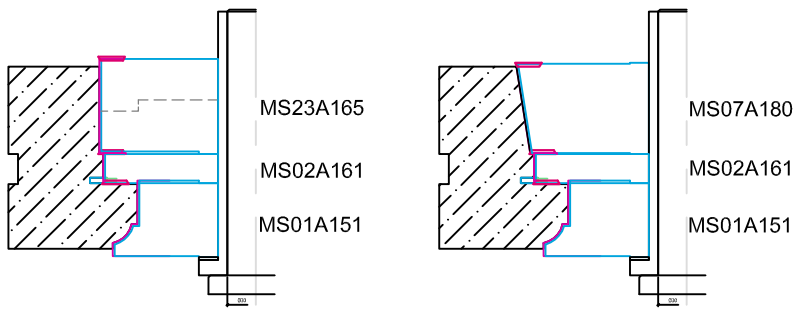
Traditional window system Mullion



Tooling solution

Whitehill

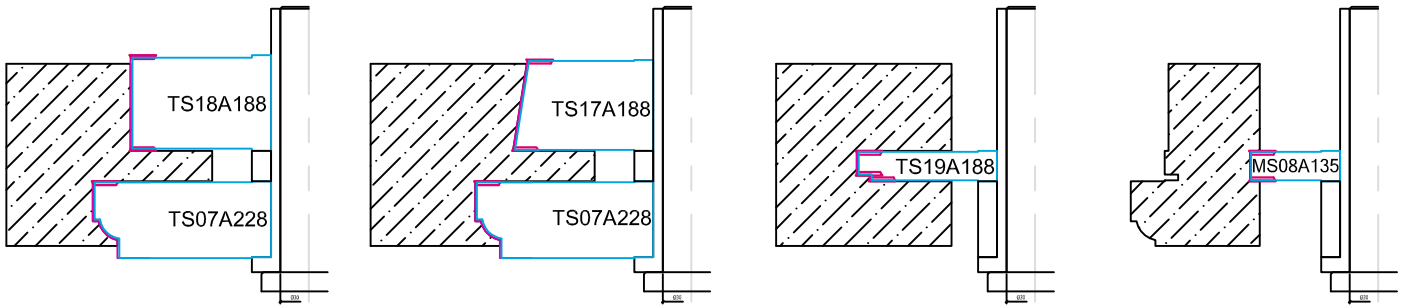
Frame profile



We can manufacture for all machines, Diameters or Bore. Please contact us.

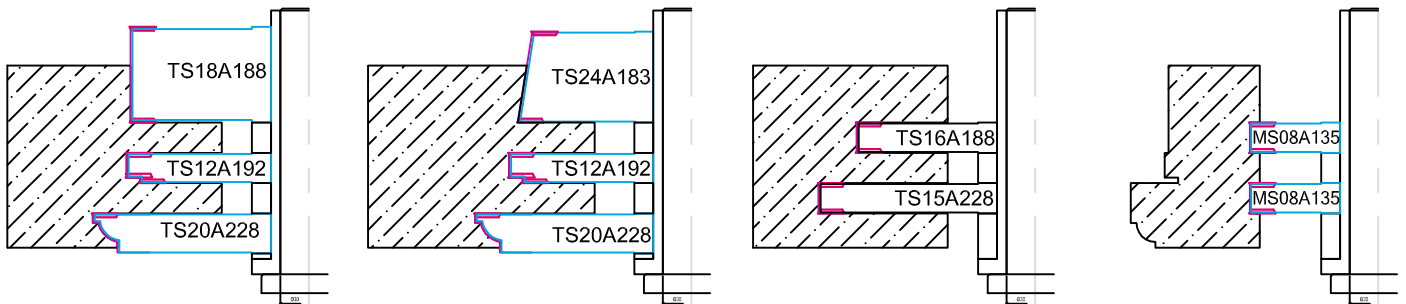
Single Tenon

Single Tenon or Combe Joint

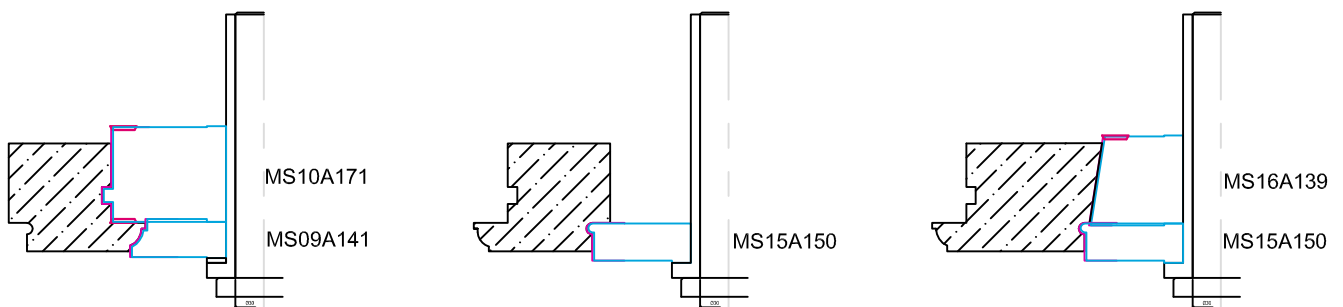


Combe Joint tooling

Single Tenon or Combe Joint



Sash profile



Sash Combe joint tooling

