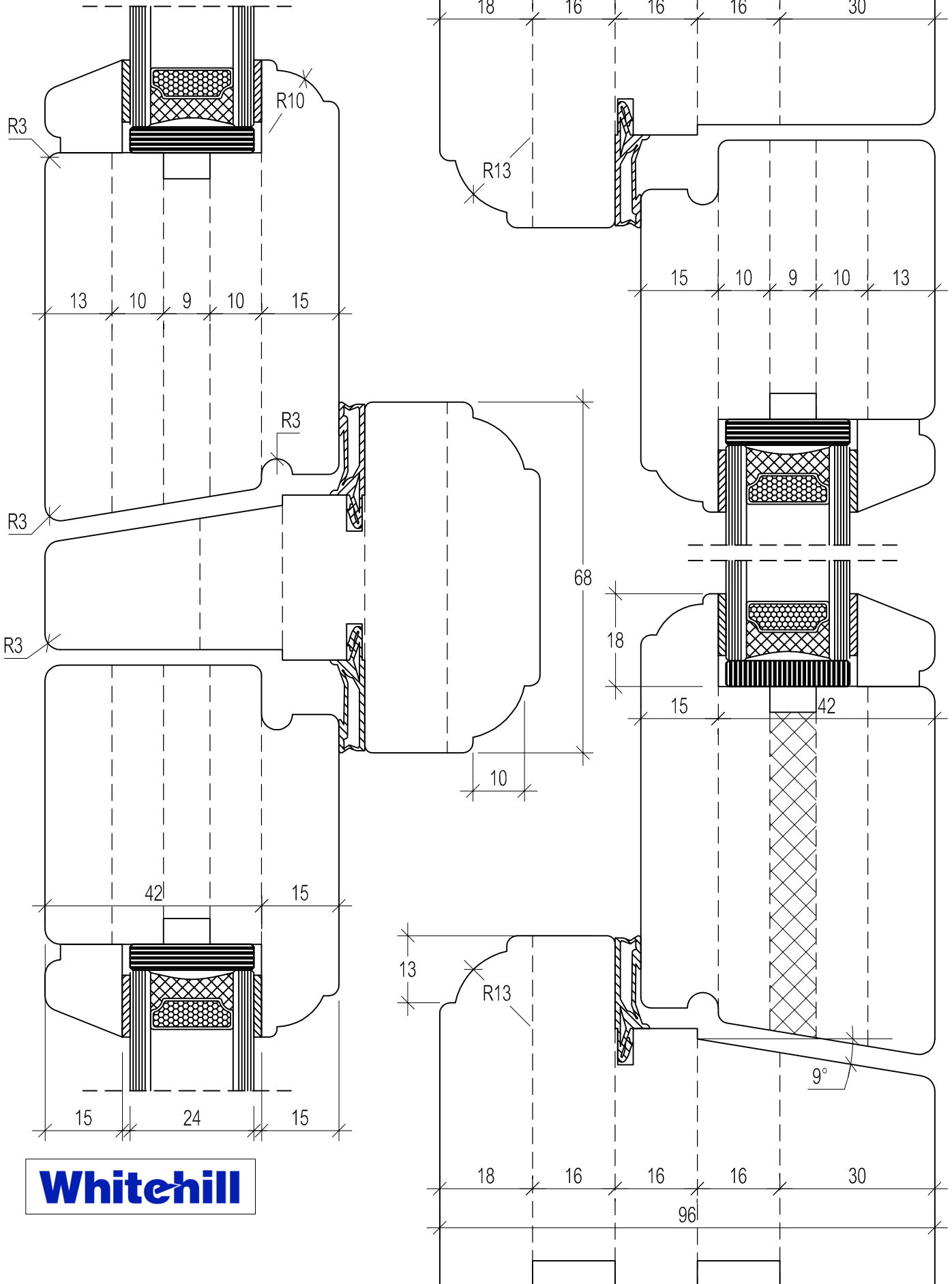


# Traditional window system

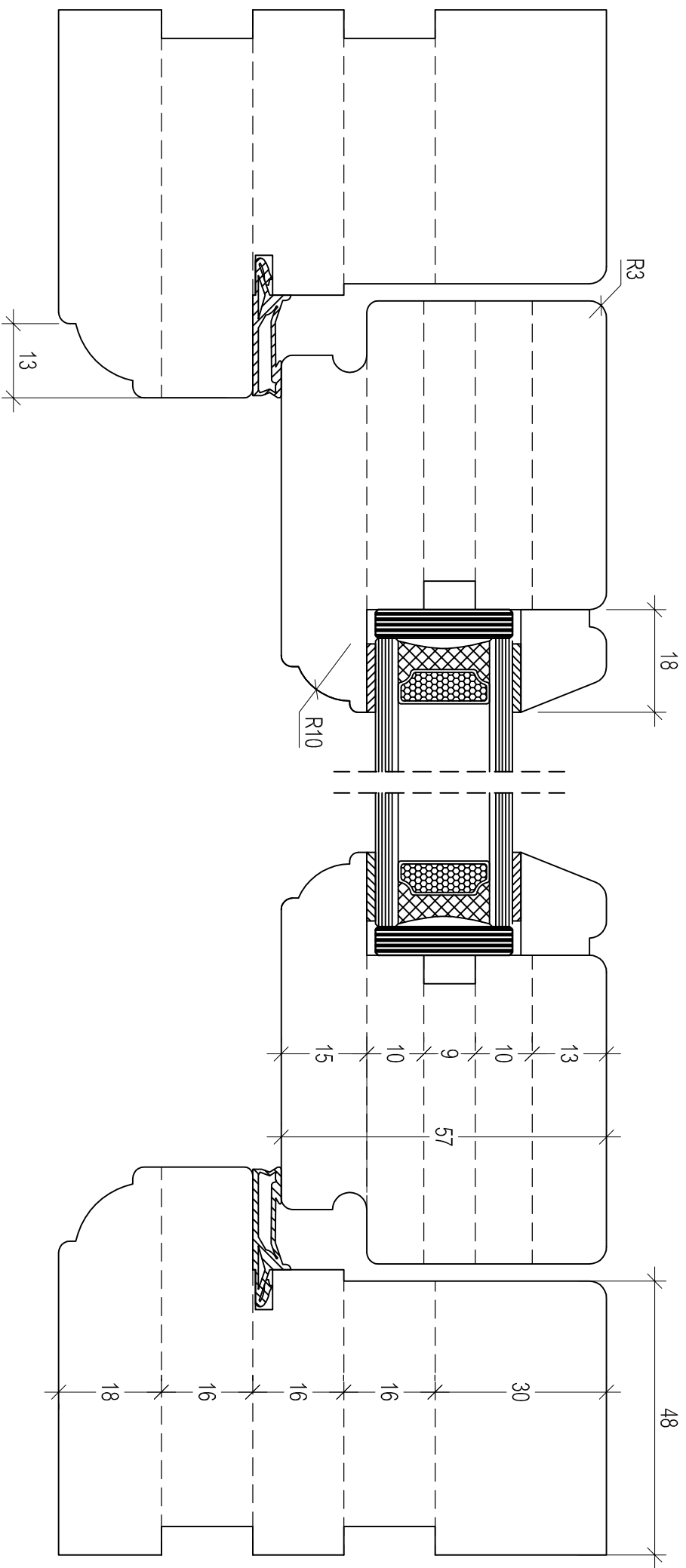
## Vertical sections - radius



**Whitehill**

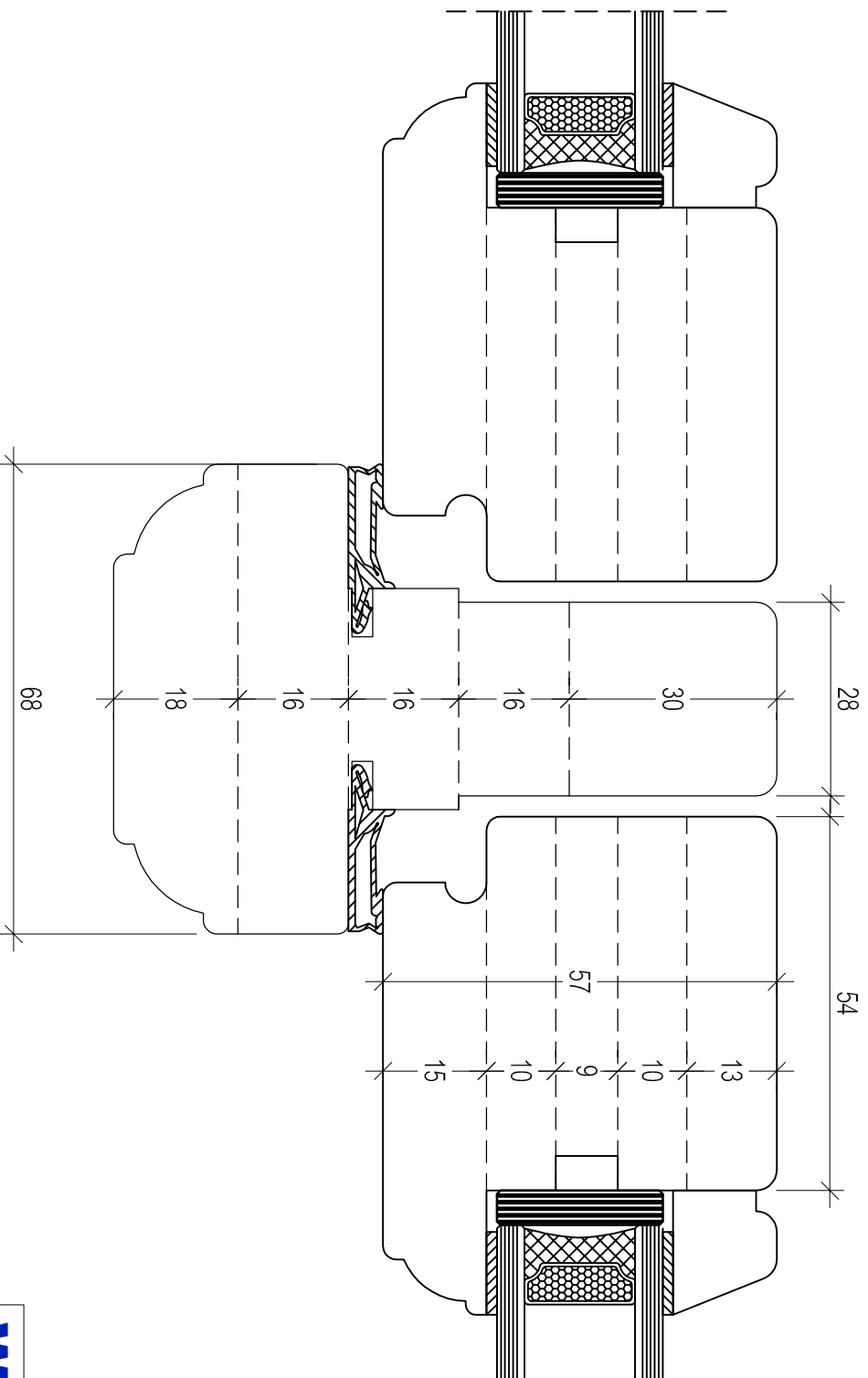
# Traditional window system

## Horizontal sections - radius



# Traditional window system

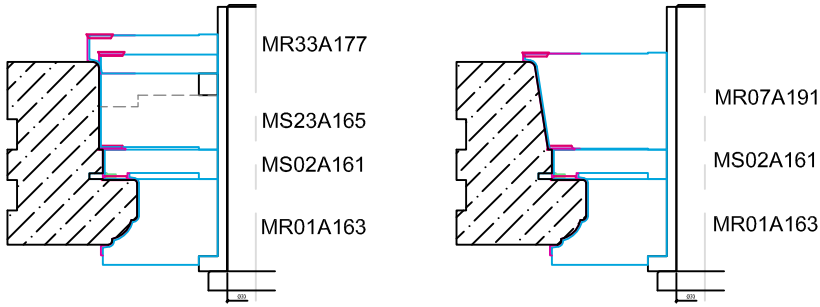
## Mullion - radius



# Tooling Solution



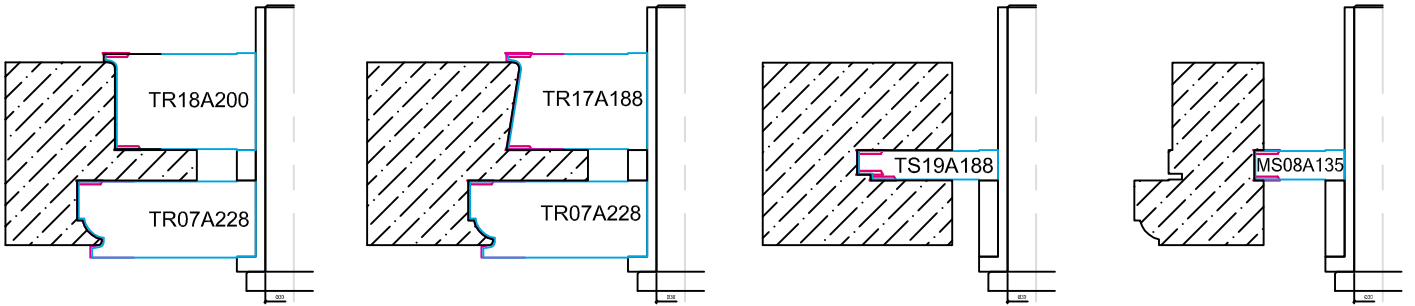
## Frame profile radius



We can manufacture for all machines, Diameters or Bore. Please contact us.

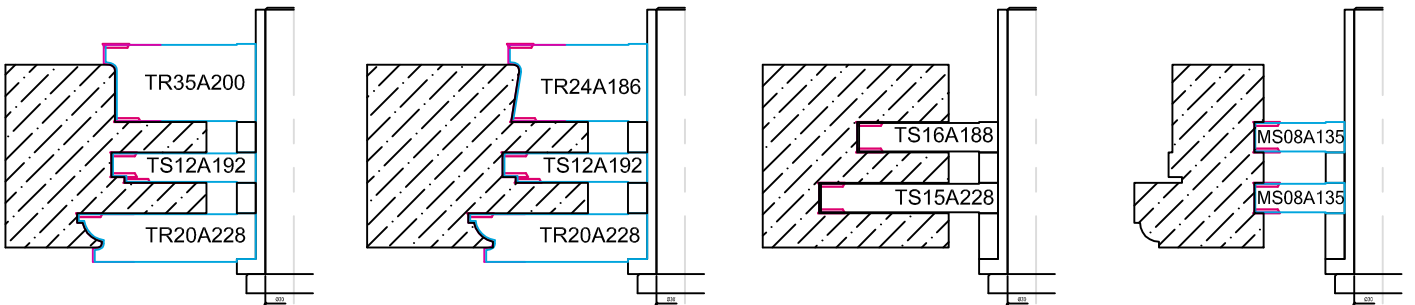
## Single Tenon Radius

Single Tenon or Combe Joint

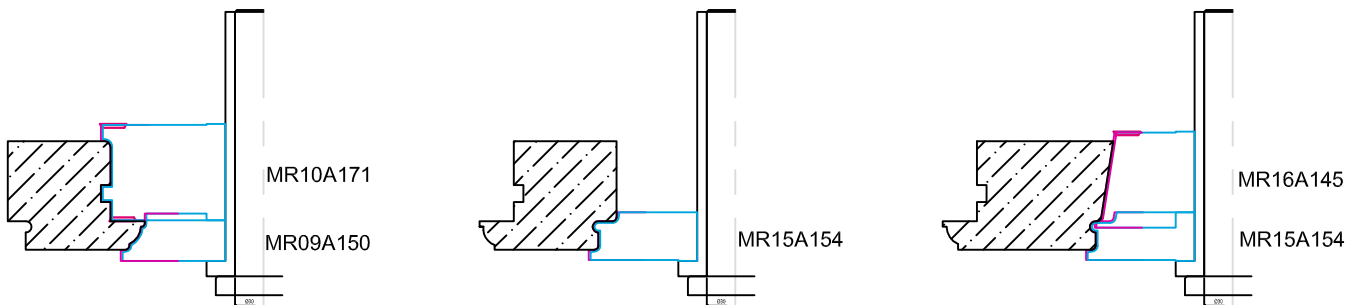


## Combe Joint tooling radius

Single Tenon or Combe Joint



## Sash profile radius



## Sash Combe joint tooling radius

