



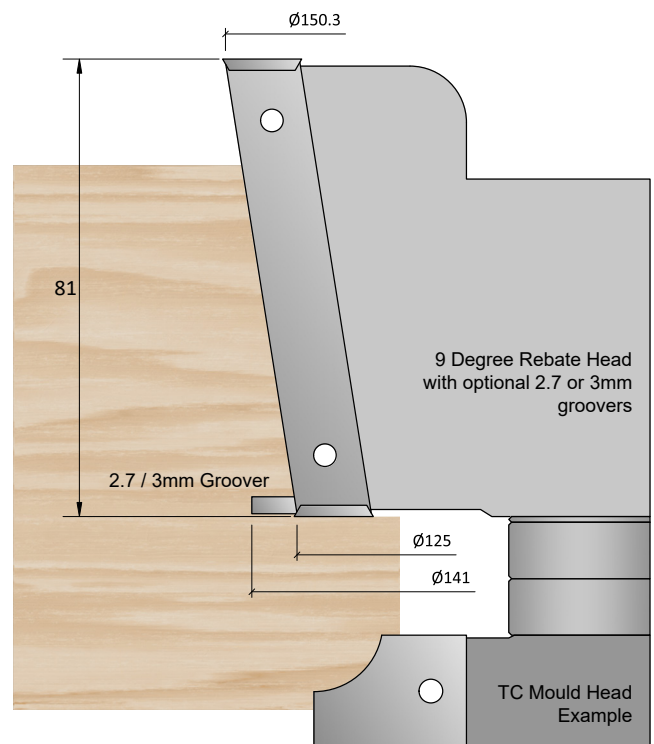
## 9 DEGREE REBATE HEAD

### Cutter Heads

Whitehill 9 Degree Rebate Head designed for rebating, window profiling and rebating with additional profiling for MDF boards, ply or hard-textured, glued and solid timber.

#### Features:

- Cutter head equipped with TC reversible knives and spurs (can be found in “spares” section).
- TC Rebate knives are straight cut configured tungsten carbide for exceptional durability and clean cut in all materials.
- Can be stacked on the spindle with a Whitehill 96 x 55 limiter head or a Whitehill TC Mould Head to the machine mould and rebate in one operation for maximum efficiency and consistency.
- Available with 2.7mm, 3mm, or no groover tips.
- Suitable for spindle moulders with manual feed.
- Tool body available in aluminium.
- Available in 1¼ inch or 30mm bore for spindle moulder.
- Manufactured in compliance to European Standards EN 846-1.

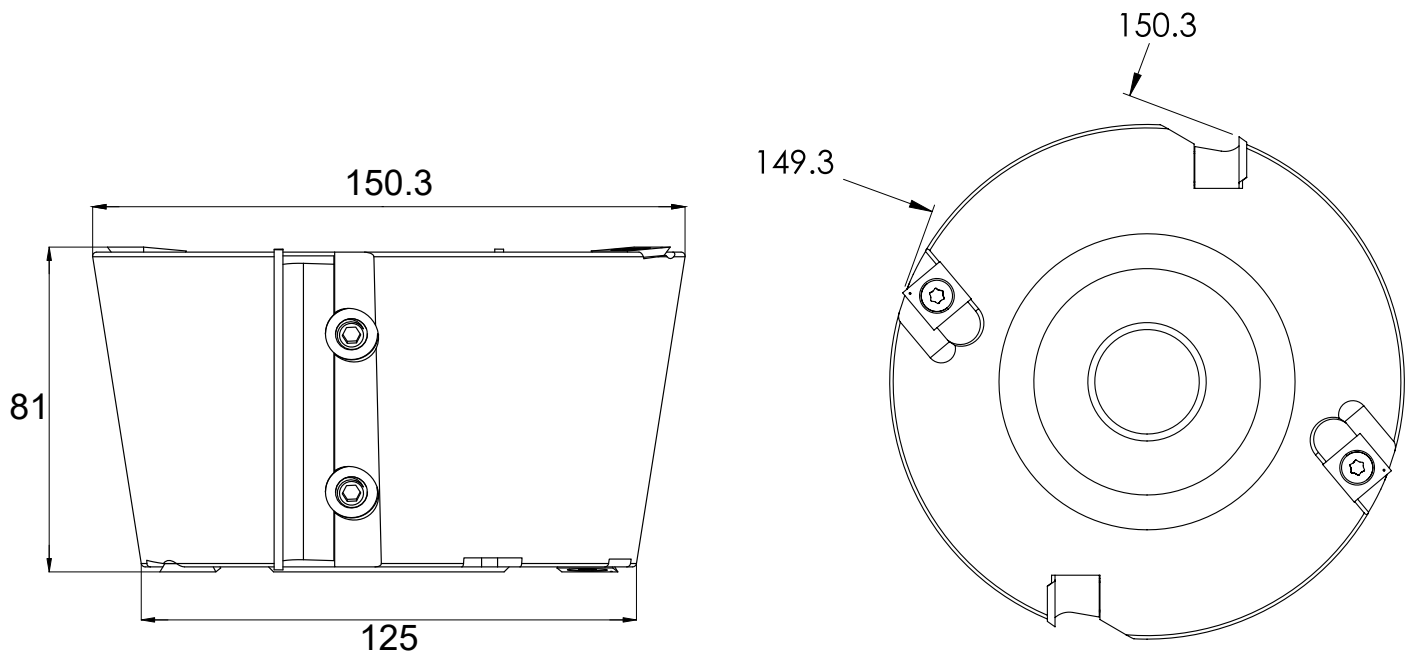


## 9 DEGREE REBATE HEAD

### Variations

All the current variations for this cutter head - updated pricing available on our website

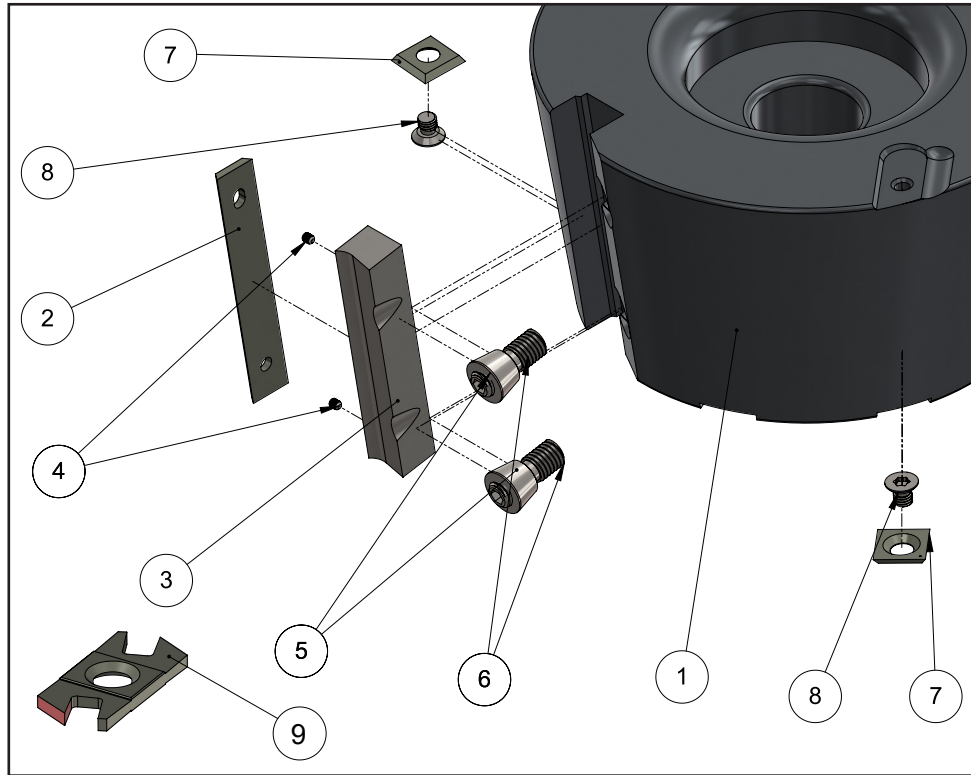
| Code   | D (mm) | H (mm) | B    | Groover Included | Material  | Min - Max RPM | Z  | V      |     |    |     |       |           |             |   |   |
|--------|--------|--------|------|------------------|-----------|---------------|--|--------|-----|----|-----|-------|-----------|-------------|---|---|
| 150010 | 125    | 81     | 30mm | No               | Aluminium | 4500 - 8000   | 2  | 4      |     |    |     |       |           |             |   |   |
| 150011 | 125    | 81     | 1¼"  | No               | Aluminium | 4500 - 8000   | 2  | 4      |     |    |     |       |           |             |   |   |
| 150012 | 125    | 81     | 30mm | 3mm              | Aluminium | 4500 - 8000   | 2  | 4      |     |    |     |       |           |             |   |   |
| 150013 | 125    | 81     | 1¼"  | 3mm              | Aluminium | 4500 - 8000   | 2  | 4      |     |    |     |       |           |             |   |   |
| 150014 | 125    | 81     | 30mm | 2.7mm            | Aluminium | 4500 - 8000   | 2 </tr <tr> <td>150015</td> <td>125</td> <td>81</td> <td>1¼"</td> <td>2.7mm</td> <td>Aluminium</td> <td>4500 - 8000</td> <td>2</td> <td>4</td> </tr> | 150015 | 125 | 81 | 1¼" | 2.7mm | Aluminium | 4500 - 8000 | 2 | 4 |
| 150015 | 125    | 81     | 1¼"  | 2.7mm            | Aluminium | 4500 - 8000   | 2  | 4      |     |    |     |       |           |             |   |   |



## 9 DEGREE REBATE HEAD

### Spare Parts

Spare parts for our current design, older design - parts may vary



| Item No.        | Part No.  | Description                                 | Quantity |
|-----------------|-----------|---|----------|
| 1               | CBS002V7  | 125(150) x 81 9 Degree Outwards Draft Block | 1        |
| 2               | 150002    | 80 x 13 x 2.2mm AB80 TC 9 Deg Rebate Knife  | 2        |
| 3               | 450S00100 | Jaw 12.7 x 75mm (80mm Shear)                | 2        |
| 4               | 490S00100 | M2.5 x 3mm Socket Set Jaw Screw             | 4        |
| 5               | 470S00070 | 13mm Olive                                  | 4        |
| 6               | 440S00070 | M8 Double Screw                             | 4        |
| 7               | 030T00001 | 14 x 14 x 2 Spur                            | 4        |
| 8               | 480S00050 | Spur Screw M5 x 6.5 Tor 1064                | 4        |
| Key 1           | 340S00010 | 4 mm T Handle Allen Key                     | 1        |
| Key 2           | 370T00042 | T20 Torx Wrench L Shape Star Key            | 1        |
| <b>Optional</b> |           |   |          |
| 9               | 026T00065 | 2.7 mm MAN Groover Tip                      | 2        |
| 9               | 026T00066 | 3 mm MAN Groover Tip                        | 2        |